

THIS DOCUMENT CONTAINS PROPRIETARY INFORMATION WHICH IS THE PROPERTY OF QSC AUDIO PRODUCTS, THAT MAY NOT BE DISCLOSED, REPRODUCED OR USED WITHOUT EXPRESS WRITTEN CONSENT FROM QSC AUDIO PRODUCTS.

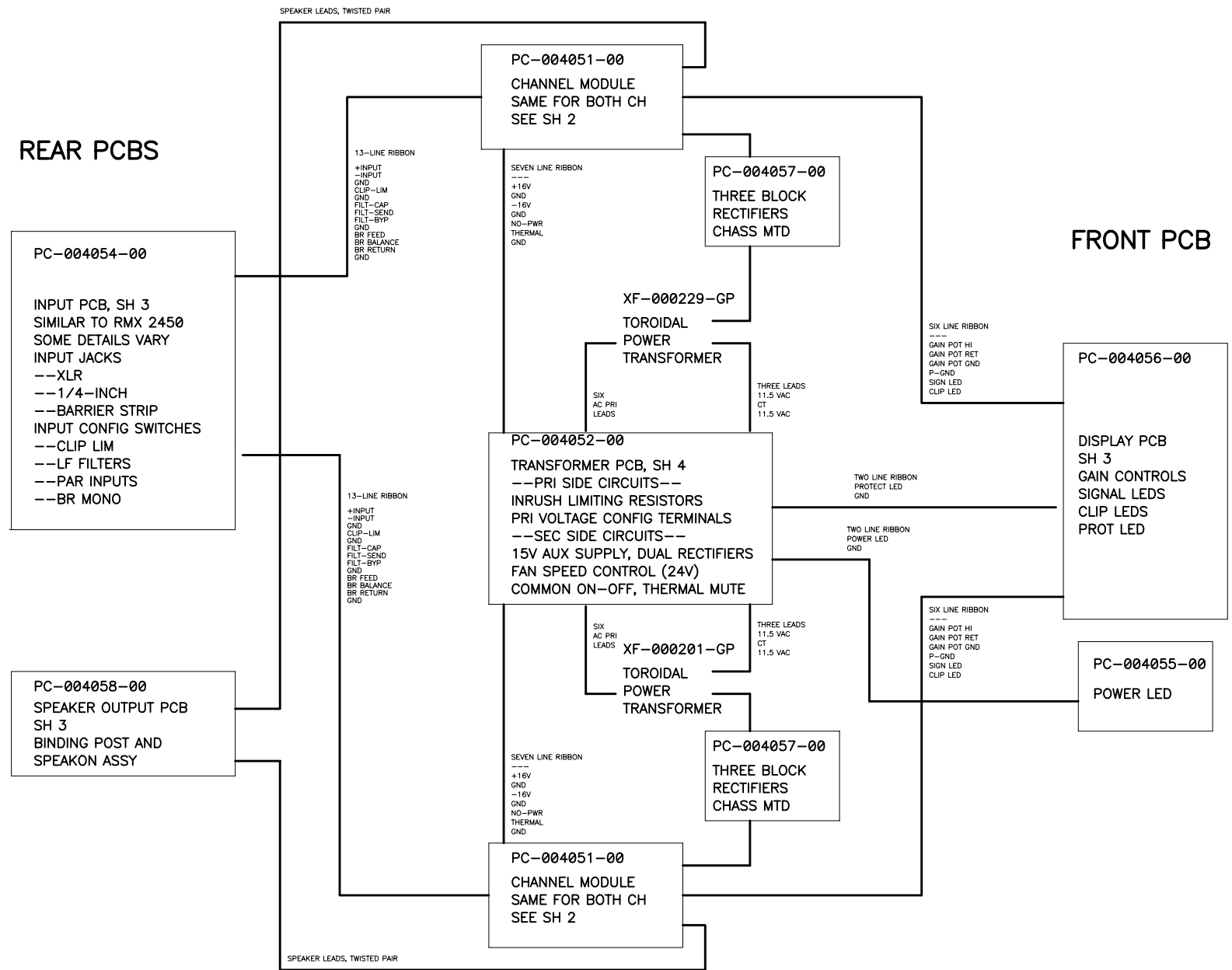
WIRING DIAGRAM AND PCB ARRANGEMENT

REVISION				
REV	DESCRIPTION	EFF. DATE	CHK	APPROVED / DATE
A	PRODUCTION RELEASE PER ECO 4879 AA	10-29-02		DD
B	REVISED PER ECO 4899 AA	4-18-03		DD
C	REVISED PER ECO 5958 AA	12-15-03		

CHASSIS PCBs

REAR PCBs

FRONT PCB



- 11. ZENER TOLERANCE IS 5%
- 10. SMT CAPACITOR VOLTAGE IS 50V
- 9. SMT RESISTOR WATTAGE RATING IS 0.1W UNLESS MARKED 1206, 0.2W SMT RESISTOR TOLERANCE 1%
- 8. THRU HOLE RESISTORS USED FOR 1/4W AND HIGHER. FOR RESISTOR WATTAGE RATINGS GREATER THAN 1W, TOLERANCE IS 5% FOR RESISTOR WATTAGE RATINGS LESS THAN 1/2W, TOLERANCE IS 1%
- 7. THROUGH-HOLE FILM AND CERAMIC CAPACITOR TOLERANCE IS 10%, VOLTAGE IS 100V
- 6. ELECTROLYTIC CAPACITOR TOLERANCE IS 20%
- 5. ALL RIBBON CABLES ARE CONNECTED PIN TO CORRESPONDING PIN
- 4. PART NUMBERING SCHEME PARTS IN COMMON TO BOTH CH: 1-99. CH 1 AND 2 PARTS (USES SAME PCB) 101-UP
- 3. COMPONENTS MARKED WITH Δ ARE SAFETY CRITICAL PARTS.
- 2. COMPONENTS WITH VALUE PREFIXED WITH A "*" REPRESENT SMT COMPONENTS.
- 1. THIS DRAWING USED IN CONJUNCTION WITH ASSEMBLY WP-004051-00

NOTES: UNLESS OTHERWISE SPECIFIED

QTY	ITEM NO.	PART NO.	DESCRIPTION	VENDOR
PARTS LIST				
UNLESS OTHERWISE SPECIFIED DIMENSIONS ARE IN INCHES. DIMENSIONS PER ANSI Y14.5-1982 TOLERANCES ARE:		CONTRACT NO.		
DECIMALS .XX ±	DECIMALS .XXX ±	ANGLES 0	QSC AUDIO PRODUCTS, INC. COSTA MESA, CALIFORNIA	
DEBURR EDGES .XXX R MAX		APPROVALS		DATE
MATERIAL		DRAWN PAT QUILTER		
FINISH		CHECKED I. OVERHOLT		01-07-03
DO NOT SCALE DRAWING		ISSUED D. DELARM		01-08-03
		CAD SEED FILE NO.		SCALE NONE
		Tue Dec 16, 2003		CAD FILE NO. SH04051C.SCH SHEET 1 OF 4

SCHMATIC DIAGRAM
RMX4050HD

SH-004051-00

C 1 SH-004051-00

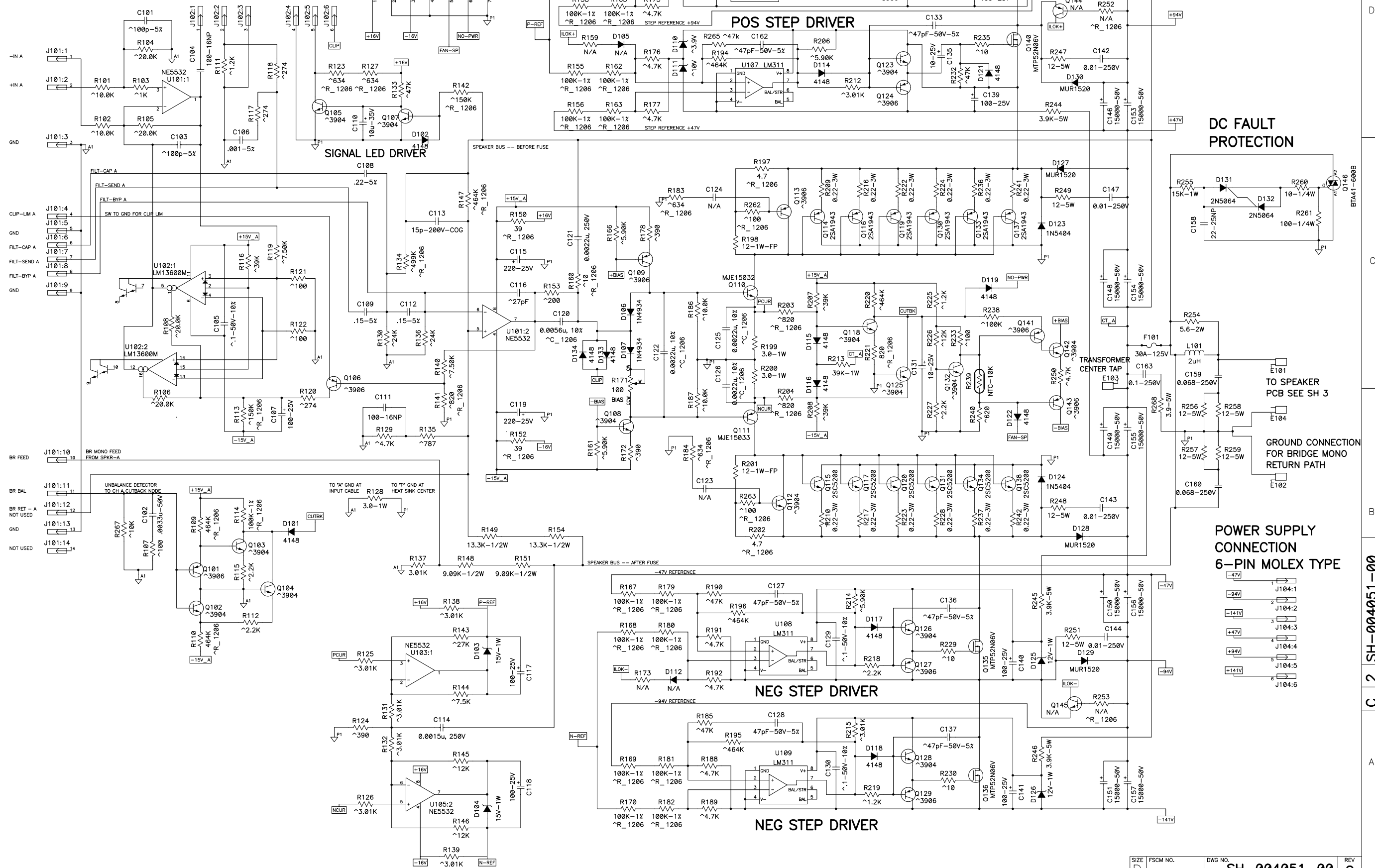
THIS DOCUMENT CONTAINS PROPRIETARY INFORMATION WHICH IS THE PROPERTY OF OSC AUDIO PRODUCTS, THAT MAY NOT BE DISCLOSED, REPRODUCED OR USED WITHOUT EXPRESS WRITTEN CONSENT FROM OSC AUDIO PRODUCTS.

PC-004051-00

TO REAR PANEL INPUT PCB
SEE SH 3
14 PIN RIBBON

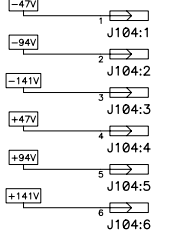
TO FRONT PANEL PCB
POT, SIG, CLIP LED
SEE SH 3
6 PIN RIBBON

TO TRANSFORMER PCB
SEE SH 4
7 PIN RIBBON



DC FAULT PROTECTION

POWER SUPPLY CONNECTION
6-PIN MOLEX TYPE



NOTES: UNLESS OTHERWISE SPECIFIED

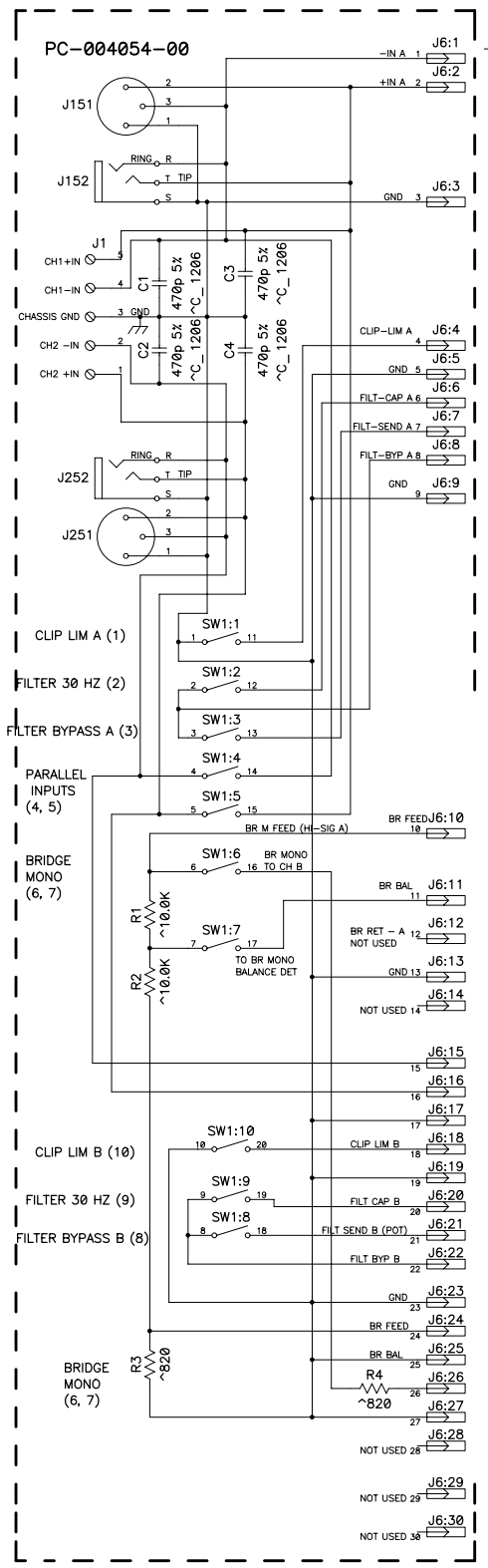
SIZE	FSCM NO.	DWG NO.	REV
D		SH-004051-00	C
SCALE	NONE	CAD FILE NO.	SHEET 2 OF 4
			PLOT DATE:

THIS DOCUMENT CONTAINS PROPRIETARY INFORMATION WHICH IS THE PROPERTY OF QSC AUDIO PRODUCTS, THAT MAY NOT BE DISCLOSED, REPRODUCED OR USED WITHOUT EXPRESS WRITTEN CONSENT FROM QSC AUDIO PRODUCTS.

REAR PANEL INPUT PCB DUAL 14-CONDUCTOR CABLES ONE TO EACH CHANNEL

CH 1 INPUTS

CH 2 INPUTS

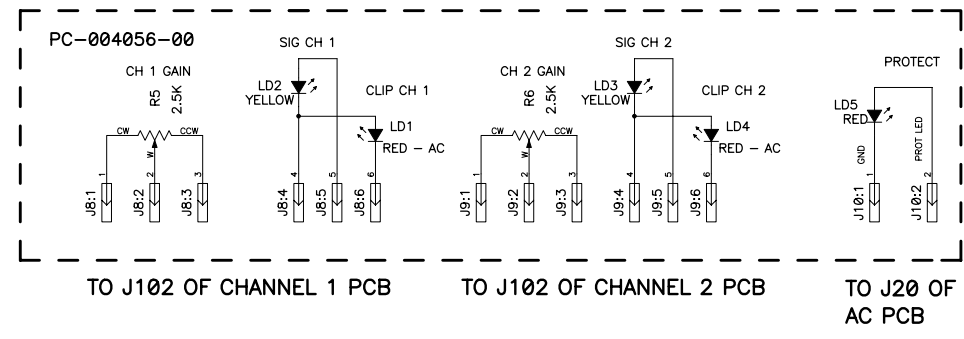


TO J101, CHANNEL 1 PCB

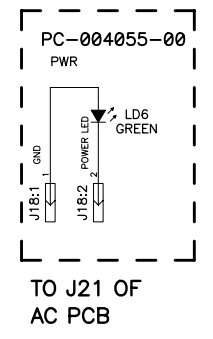
TO J101, CHANNEL 2 PCB

- IN B
- +IN B
- GND
- CLIP-LIM B
- GND
- FILT-CAP B
- FILT-SEND B
- FILT-BYP B
- GND
- BR FEED
- USED FOR BAL
- BR BAL B
- NOT USED ON CH B
- BR RET - B
- FB NODE
- GND

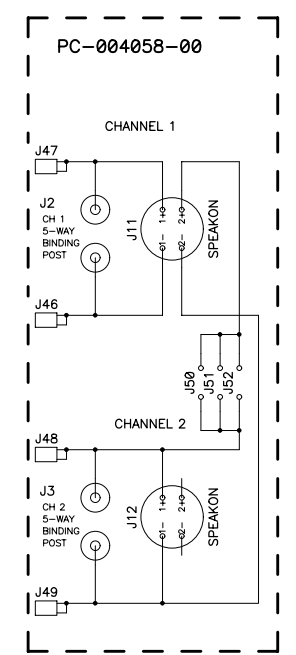
FRONT PCB, 2-GAIN, 2-SIG LED, 2-CLIP LED, PROT LED



POWER LED PCB



SPEAKER PCB



NOTES: UNLESS OTHERWISE SPECIFIED

SIZE	FSCM NO.	DWG NO.	REV
D		SH-004051-00	C
SCALE	NONE	CAD FILE NO. SH04051C.SCH	SHEET 3 OF 4
PLOT DATE:			

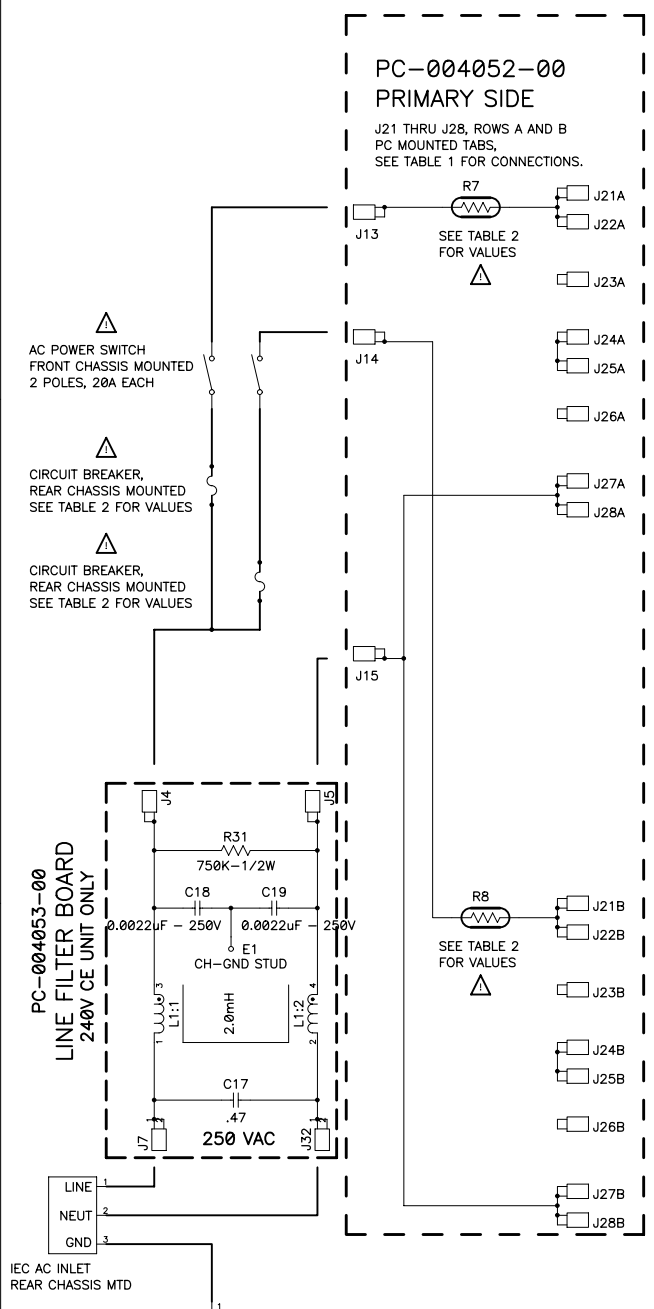
C 3 SH-004051-00

THIS DOCUMENT CONTAINS PROPRIETARY INFORMATION WHICH IS THE PROPERTY OF OSC AUDIO PRODUCTS, THAT MAY NOT BE DISCLOSED, REPRODUCED OR USED WITHOUT EXPRESS WRITTEN CONSENT FROM OSC AUDIO PRODUCTS.

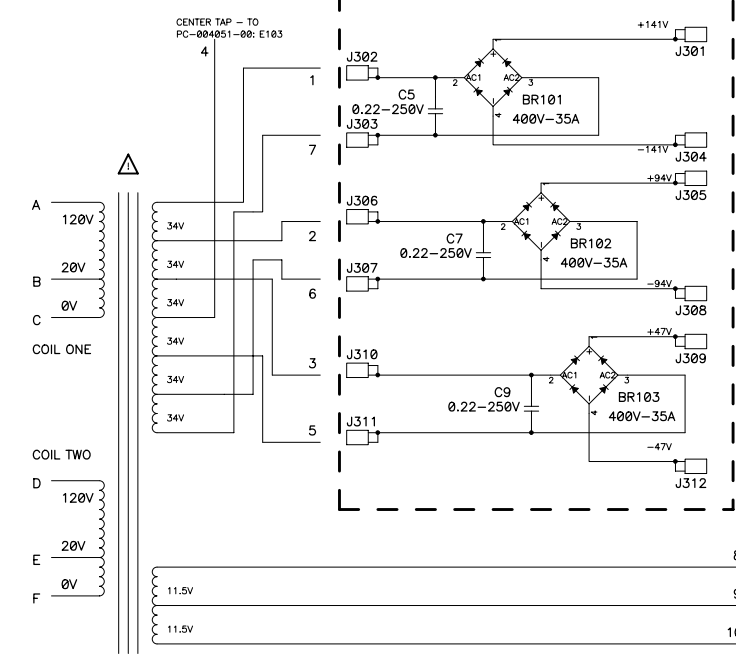
AC LINE VOLTAGE			
100V	120V	240V	TAB
A	A	A	J21
D	D	-	J22
C	B	B	J23
-	-	C	J24
-	-	D	J25
F	E	E	J26
B	C	-	J27
E	F	F	J28

	AC LINE VOLTAGE		
	100V	120V	240V
CIRCUIT BREAKER	15A-125V	15A-125V	7.5A-250V
R7 & R8	1 OHM 30A	1 OHM 30A	4 OHM 15A
LINE FILTER	NO	NO	YES

PC-004052-00 PRIMARY SIDE
 J21 THRU J28, ROWS A AND B PC MOUNTED TABS, SEE TABLE 1 FOR CONNECTIONS.

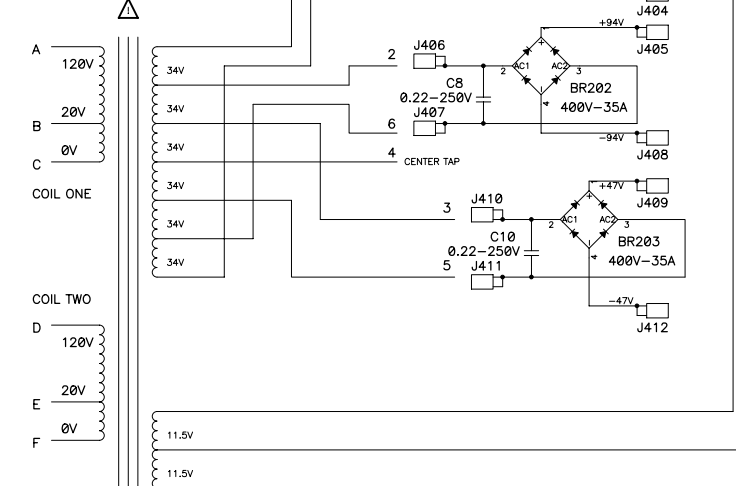


LEFT TOROIDAL POWER TRANSFORMER
 XF-000229-GP FOR 100V AND 120V;
 XF-000233-GP FOR 230V

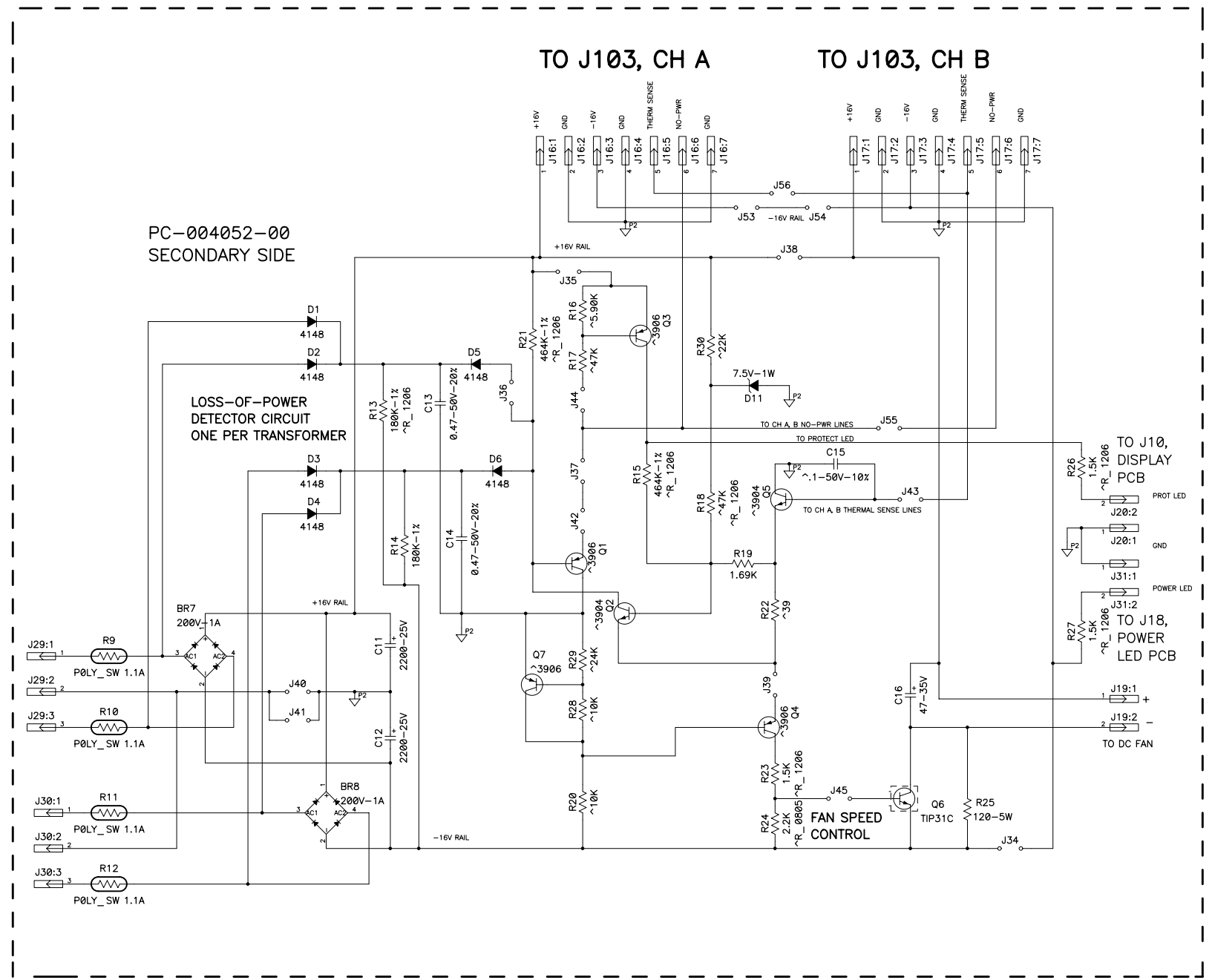


CH B Z TABS DO NOT REALLY HAVE DIFFERENT REF DES. HERE THEY ARE INCREASED BY 100 TO AVOID DUPLICATION

RIGHT TOROIDAL POWER TRANSFORMER
 XF-000201-GP FOR 100V AND 120V;
 XF-000232-GP FOR 230V



PC-004052-00 SECONDARY SIDE



NOTES: UNLESS OTHERWISE SPECIFIED

C 4 SH-004051-00

RMX4050HD PARTS LIST

SPARE PART LIST		DATE: MAR 10,2003	
MODEL: RMX4050			
DESCRIPTION: QUARTZ RMX4050HD POWER AMPLIFIER 2X2000W 120V(UL)/230V(C)			
Description	Location	Part Number	Usage
PCB ASSY DISPLAY QZ110C	5000	PCB-QZ110C-DIS	1
PCB PWR/PSU2/OUT/DIS/	5001	1725-607A-0000	1
2P ST.WAFER	J10	2102-021S-004	1
WAFER 6 PIN P2.5	J8,J9	2102-061R-004	2
LED 4.7MM RED AC W/STAND	LD2,LD4	3700-1624-R	2
LED 04mm RED W/STAND	LD5	3700-4529-R	1
LED 04mm YELLOW W/STAND	LD1,LD3	3700-4530-Y	2
NYLON SPACER 03X9	LD1,LD2,LD3, LD4,LD5	4152-3584-0	5
VR RV06002-23E3-20FW- 2.5K	R5,R6	4751-0420-0	2
PCB ASSY INPUT QZ110C	7000	PCB-QZ110C-INP	1
CC 50V 470pF 5% RL 8x3.5	C1,C2,C3,C4	150F-471J-5-OF	4
PCB PWR/PSU2/OUT/DIS/	7001	1725-607A-0000	1
SOCKET 30PIN DUA/ROW IEC	J6	2101-1395-0	1
5 POLE SPEAKER TERMINAL	J1	2113-1335-0	1
XLR FEMALE CONN.	J151,J251	2113-1337-1	2
PHONE JACK 06.4	J152,J252	2113-1652-0	2
SCREW M3X6 BINDING (BLK)	7003	2904-3006-3000	2
BRASS STUD M3 L=18mm	7002	4134-8421-0	2
RMG 1/10W 10K 1% 0805	R1,R2	4720-103A-J	2
RMG 1/10W 820R 1% 0805	R3,R4	4720-821A-J	2
10 POLE DIP SWITCH	SW1	5200-4713-0	1
PCB ASSY POWER LED	6000	PCB-QZ110C-LEDP	1
PCB PWR/PSU2/OUT/DIS/	6001	1725-607A-0000	1
2P ST.WAFER	J18	2102-021S-004	1
LED 04mm GREEN W/STAND	LD6	3700-4531-G	1
NYLON SPACER 03X9	LD6	4152-3584-0	1
PCB ASSY OUTPUT QZ110C	4000	PCB-QZ110C-OUT	1
PCB PSU RMX3550	4001	1725-606A-0000	1
SPADE TERMINAL 6.3X0.8	J46,J47,J48, J49	2101-1231-0	4
SPEAKON NEUTRIK 4 WIRE	J11,J12	2113-1336-1	2
4-POLE SPEAKER TERMINAL	J2	2113-1338-0	1
SCREW M3X6 BINDING (BLK)	4003	2904-3006-3000	3
BRASS STUD M3X24.5	4002	4134-9091-1	3
PCB ASSY POWER SUPPLY	1000	QZ110C PCB-QZ110C-PSU	1
PCB ASSY RECTIFIER	3000	QZ111C PCB-QZ110C-PSU2	2
CC 50V 0.1uF 10% 0805	C15	QZ110C 150F-104K-J-BD	1
CC 50V 0.47UF 20% RL 5X5	C13,C14	QZ110C 150F-474M-5-II	2
CM 250V 0.22uF 10% RL	C5,C7,C9	QZ111C 153R-224K-5-Y1	3
CE 25V 2200uF 20% RL	C11,C12	QZ110C 157E-228M-5-X9	2
CE 35V 47U 20% RL 6.5X11	C16	QZ110C 157Q-476M-5-LUA	1
PCB PSU RMX3550	1001	QZ110C 1725-606A-0000	1
PCB PWR/PSU2/OUT/DIS/	3001	QZ111C 1725-607A-0000	1

RMX4050HD PARTS LIST

SPADE TERMINAL 6.3X0.8	J13,J14,J15, J21A,J21B, J22A,J22B, J23A,J23B, J24A,J24B, J25A,J25B, J26A,J26B, J27A,J27B, J28A,J28B	QZ110C	2101-1231-0	19
SPADE TERMINAL 6.3X0.8	J301,J302, J303,J304, J305,J306, J307,J308, J309,J310, J311,J312	QZ111C	2101-1231-0	12
JM2422-3M WAFER	J29,J30	QZ110C	2101-9400-0	2
2P ST.WAFER	J19,J20,J21	QZ110C	2102-021S-004	3
WF T8 DE 7PIN COULOMB	J16,J17	QZ110C	2102-071S-004	2
3X6MM B-TITE (BLK.ZN)	Q6	QZ110C	2954-3006-3000	2
RMF 1/4W 1.69K 1% AT	R19	QZ110C	4715-1691-2	1
RMF 1/4W 180K 1% AT	R14	QZ110C	4715-184A-2	1
RMF 5W 120R 5% AL METAL	R25	QZ110C	471B-121J-1-X	1
RMG 1/10W 10K 1% 0805	R20,R28	QZ110C	4720-103A-J	2
RMG 1/10W 2.2K 1% 0805	R24	QZ110C	4720-222A-J	1
RMG 1/10W 22K 1% 0805	R30	QZ110C	4720-223A-J	1
RMG 1/10W 24K 1% 0805	R29	QZ110C	4720-243A-J	1
RMG 1/10W 39R 1% 0805	R22	QZ110C	4720-390A-J	1
RMG 1/10W 47K 1% 0805	R17,R18	QZ110C	4720-473A-J	2
RMG 1/10W 5.9K 1% 0805	R16	QZ110C	4720-592A-J	1
RMG 1/8W 1.5K 1% 1206	R23,R26,R27	QZ110C	4721-152A-6	3
RMG 1/8W 180K 1% 1206	R13	QZ110C	4721-184A-6	1
RMG 1/8W 464K 1% 1206	R15,R21	QZ110C	4721-4643-6	2
DIODE 1N4148 AT	D1,D2,D3,D4, D5,D6	QZ110C	4804-1480-2	6
DZ 1/2W 7.29~7.67V ROHM	D11	QZ110C	4837-7C51-2	1
DIODE RECT 1A 200V DB103	BR7,BR8	QZ110C	4840-1760-0	2
DIODE BRIDGE RECTIFIER	BR101,BR102, BR103	QZ111C	4840-8630-0	3
TR 3906 PNP SM	Q1,Q3,Q4,Q7	QZ110C	4853-9060-3	4
TR 3904 HFE 100-300 SM	Q2,Q5	QZ110C	4860-0640-3	2
TR TIP31C SAMSUNG	Q6	QZ110C	4860-2620-5	1
HEATSINK	Q6	QZ110C	5400-0831-0	1
POLYSWITCH 0.15 ohm 1.1A	R10,R11,R12, R9	QZ110C	8910-0273-0	4
THERMAL NTC 30A 1 ohm	R7,R8	QZ110C	8910-0275-0	2
PCB ASSY RECTIFIER	3000		PCB-QZ110C-PSU2	2
CM 250V 0.22uF 10% RL	C5,C7,C9		153R-224K-5-Y1	3
PCB PWR/PSU2/OUT/DIS/	3001		1725-607A-0000	1
SPADE TERMINAL 6.3X0.8	J301,J302, J303,J304, J305,J306, J307,J308, J309,J310, J311,J312		2101-1231-0	12
DIODE BRIDGE RECTIFIER	BR101,BR102, BR103		4840-8630-0	3

RMX4050HD PARTS LIST

PCB ASSY AMPLIFIER	2000	PCB-QZ110C-PWR	2
CC 50V 100pF 5% 0805 1.2	C101,C103	150F-101J-J-BD	2
CC 50V 0.1uF 10% 0805	C105,C129, C130	150F-104K-J-BD	3
CC 50V 2200pF 10% 1206 1	C122,C125, C126	150F-222K-6-CF	3
CC 50V 3300pF 10% 0805 1	C102	150F-332K-J-BD	1
CC 50V 47pF 5% 0805 1.2x	C127,C128, C132,C133, C136,C137, C161,C162	150F-470J-J-BD	8
CC 50V 5600pF 5% 0805 1.	C120	150F-562J-J-BD	1
CC 200V 15P 5% 0805 COG	C113	150U-150J-J-BD	1
CM 100V 0.001U 5% RL 5X	C106	153H-102J-5-IQ	1
CM 100V 0.15UF 5% RL	C109,C112	153H-154J-5-XX	2
CM 100V 0.22U 5% RL 8X9	C108	153H-224J-5-OQM	1
CM 250V 0.01UF 5% RL 13X	C142,C143, C144,C147	153R-103J-5-YRM	4
CM 250V 0.1u 5% RL	C163	153R-104J-5-YRM	1
CM 250V 0.0015UF 5% RL	C114	153R-152J-5-XQ	1
CM 250V 0.0022UF 5% RL	C121	153R-222J-5-XQM	1
CM 250V 0.068u 5% RL	C159,C160	153R-683J-5-WWM	2
CE 16V 100UF 20% RL 8X11	C104,C111	157D-107M-5-OUN	2
CE 25V 10UF 20% RL 4X7	C131,C134, C135	157E-106M-5-GMK	3
CE 25V 100uF 20% RL 6x12	C107,C117, C118,C138, C139,C140, C141	157E-107M-5-KW	7
CE 25V 22uF 20% RL 5X11	C158	157E-226M-5-IUN	1
CE 25V 220uF 20% RL	C115,C119	157E-227M-5-PU	2
CE 50V 15000UF 20% RL	C145,C146, C148,C149, C150,C151, C152,C153, C154,C155, C156,C157	157F-159M-5-5<	12
CE 35V 10uF 20% RL 5x11	C110	157Q-106M-5-IU	1
CTC 0/30 27P 5% 0805	C116	15CG-270J-J-BD	1
PCB PWR/PSU2/OUT/DIS/	2001	1725-607A-0000	1
SPRNG COIL 2uH(14gaWIRE)	L101	1804-1040-0	1
SPADE TERMINAL 6.3X0.8	E101,E102, E103,E104	2101-1231-0	4
WAFER 6P P=6.7	J104	2101-1386-0	1
SOCKET 14P DUAL ROW IEC	J101	2101-1388-0	1
8 PIN IC SOCKET DIP	U101,U103	2101-1991-0	2
6P ST. WAFER	J102	2102-061S-004	1
WF T8 DE 7PIN COULOMB	J103	2102-071S-004	1
3X6MM B-TITE (BLK.ZN)	Q110,Q111	2954-3006-3000	5
INSULATION SHEET IC	Q110,Q111	3100-6121-0	2
IC-NE5532 OPER. AMP PHIL	U101,U103	3130-2430-0	2
IC LM311M VOLTAGE	U106,U107, U108,U109	3130-9240-0	4
IC NE5517D	U102	3131-9730-0	1
FUSE HOLDER (DIA.6.3MM	F101	4134-8851-0	2
INSULATION BUSHING	Q110,Q111	4151-9931-0	2

RMX4050HD PARTS LIST

RMF 1/4W 10R 5% AT	R260	4715-100J-2	1
RMF 1/4W 100R 5% AT	R261	4715-101J-2	1
RMF 1/2W 13.3K 1% AT	R149,R154	4717-1332-2	2
RMF 1/2W 9.09K 1% AT	R148,R151	4717-9091-2	2
RMF 1W 12R 5% AT FP	R198,R201	4718-120J-2-P	2
RMF 1W 15K 5% AT METAL	R255	4718-153J-2-X	1
RMF 1W 39K 5% AT METAL	R213	4718-393J-2-X	1
RMF 1W 3.0R 5% AT METAL	R128,R199, R200	4718-3R0J-2-X	3
RMF 2W 5.6R 5% AL METAL	R254	4719-5R6J-1-X	1
RMF 3W 0.22R 5% RL RGC3	R209,R210, R216,R217, R222,R223, R224,R228, R236,R237, R241,R242	471A-022J-5-N	12
RMF 5W 12R 5% AL METAL	R247,R248, R249,R251, R256,R257, R258,R259	471B-120J-1-X	8
RMF 5W 3.9K 5% AL METAL	R243,R244, R245,R246, R266	471B-392J-1-X	5
RMF 5W 3.9R 5% METAL AL	R268	471B-3R9J-1-X	1
RMG 1/10W 100R 1% 0805	R107,R121, R122,R233	4720-101A-J	4
RMG 1/10W 1K 1% 0805	R103	4720-102A-J	1
RMG 1/10W 10K 1% 0805	R101,R102, R186,R187, R267	4720-103A-J	5
RMG 1/10W 100K 1% 0805	R238	4720-104A-J	1
RMG 1/10W 1.2K 1% 0805	R111,R225	4720-122A-J	2
RMG 1/10W 12K 1% 0805	R145,R146, R226,R231, R232	4720-123A-J	5
RMG 1/10W 200R 1% 0805	R153	4720-201A-J	1
RMG 1/10W 20K 1% 0805	R104,R105, R106,R108	4720-203A-J	4
RMG 1/10W 2.2K 1% 0805	R112,R115, R218,R219, R227	4720-222A-J	5
RMG 1/10W 24K 1% 0805	R130,R136	4720-243A-J	2
RMG 1/10W 270R 1% 0805	R117	4720-271A-J	1
RMG 1/10W 27K 1% 0805	R143	4720-273A-J	1
RMG 1/10W 274R 1% 0805	R118,R120	4720-2740-J	2
RMG 1/10W 3.01K 1% 0805	R125,R126, R131,R132, R137,R138, R139,R211, R212	4720-3011-J	9
RMG 1/10W 390R 1% 0805	R124,R172, R178	4720-391A-J	3
RMG 1/10W 39K 1% 0805	R116,R207, R208	4720-393A-J	3
RMG 1/10W 464K 1% 0805	R193,R194, R195,R196, R220	4720-4643-J	5
RMG 1/10W 47R 1% 0805	R229,R230,	4720-470A-J	4

RMX4050HD PARTS LIST

	R234,R235			
RMG 1/10W 4.7K 1% 0805	R129,R174,		4720-472A-J	10
	R175,R176,			
	R177,R188,			
	R189,R191,			
	R192,R250			
RMG 1/10W 47K 1% 0805	R133,R185,		4720-473A-J	5
	R190,R264,			
	R265			
RMG 1/10W 5.9K 1% 0805	R161,R166,		4720-592A-J	6
	R205,R206,			
	R214,R215			
RMG 1/10W 620R 1% 0805	R240		4720-621A-J	1
RMG 1/10W 7.5K 1% 0805	R119,R140,		4720-752A-J	3
	R144			
RMG 1/10W 787R 1% 0805	R135		4720-7870-J	1
RMG 1/8W 10R 5% 1206	R160		4721-100J-6	1
RMG 1/8W 100R 1% 1206	R262,R263		4721-101A-6	2
RMG 1/8W 100K 1% 1206	R114,R155,		4721-104A-6	17
	R156,R157,			
	R158,R162,			
	R163,R164,			
	R165,R167,			
	R168,R169,			
	R170,R179,			
	R180,R181,			
	R182			
RMG 1/8W 150K 1% 1206	R113,R142		4721-154A-6	2
RMG 1/8W 39R 1% 1206	R150,R152		4721-390A-6	2
RMG 1/8W 464K 1% 1206	R109,R110,		4721-4643-6	3
	R147			
RMG 1/8W 499K 1% 1206	R134		4721-4993-6	1
RMG 1/8W 4.7R 1% 1206	R197,R202		4721-4R7A-6	2
RMG 1/8W 634R 1% 1206	R123,R127,		4721-6340-6	4
	R183,R184			
RMG 1/8W 820R 1% 1206	R141,R203,		4721-821A-6	4
	R204,R221			
SVR H6 100R RH0615C	R171		4756-1016-3-06	1
DIODE 1N4148 AT	D101,D102,		4804-1480-2	14
	D113,D114,			
	D115,D116,			
	D117,D118,			
	D119,D120,			
	D121,D122,			
	D133,D134			
DIODE IN4934 AT	D106,D107		4804-9340-2	2
DIODE 1N5404 3A 400V	D123,D124		4805-4040-1	2
DZ 1/2W 3.8-4.0V AT	D108,D110		4837-3B20-2	2
DZ 1.3W 10V AT TEMIC	D109,D111		4838-10V6-2	2
DZ 1W 12V AT TEMIC	D125,D126		4838-12V6-2	2
DZ 1W 15V AT TEMIC	D103,D104		4838-15V6-2	2
DIODE MUR1520 15A 200V	D127,D128,		4840-2190-0	4
	D129,D130			
TR 3906 PNP SM	Q101,Q106,		4853-9060-3	10
	Q109,Q113,			
	Q122,Q124,			
	Q127,Q129,			
	Q141,Q143			

RMX4050HD PARTS LIST

TR 3904 HFE 100-300 SM	Q102,Q103, Q104,Q105, Q107,Q108, Q112,Q118, Q121,Q123, Q125,Q126, Q128,Q132, Q142		4860-0640-3	15
TR MJE15032	Q110		4860-5020-5	1
TR MJE15033	Q111		4860-5030-5	1
TR 2SC5200 T0-3P (L)	Q115,Q117, Q120,Q131, Q134,Q138		4860-5050-5	6
TR 2SA1943 T0-3P (L)	Q114,Q116, Q119,Q130, Q133,Q137		4860-5060-5	6
TR 2N5064 TRIODE	D131,D132		4860-5250-5	2
FET MTP52N06V N-CH PWR	Q135,Q136, Q139,Q140		4902-N06X-5	4
FUSE T30A 250V 6.4VX32MM	F101		5120-0096-0	1
THERMAL MTC 10K RED WIRE	R239		5202-0003-1	1
HEATSINK H40 20MM HIGH	Q110,Q111		5400-3731-0	2
TRIAC BTA41-600B	Q146		8910-0599-0	1
PCB ASSY LINE FILTER	8000	QZ111C	PCB-QZ111C-LF	1
CC 400V 2200P 20% RL Y5V	C18,C19	QZ111C	150T-222M-5-SK	2
PCB LINE FILTER RMX4050	8001	QZ111C	1725-627A-0000	1
INDUCTOR 1.57MH 30% DUAL	L1	QZ111C	1806-3610-0	1
SPADE TERMINAL 6.3X0.8	J3,J4,J5,J6	QZ111C	2101-1231-0	4
RMF 1/2W 750K 1% AL	R31	QZ111C	4717-754A-1	1
CC 280V 0.47UF 10% RL	C17	QZ111C	8910-0600-0	1
PCB ASSY POWER SUPPLY	1000	QZ111C	PCB-QZ111C-PSU	1
CC 50V 0.1uF 10% 0805	C15	QZ111C	150F-104K-J-BD	1
CC 50V 0.47UF 20% RL 5X5	C13,C14	QZ111C	150F-474M-5-II	2
CE 25V 2200uF 20% RL	C11,C12	QZ111C	157E-228M-5-X9	2
CE 35V 47U 20% RL 6.5X11	C16	QZ111C	157Q-476M-5-LUA	1
PCB PSU RMX3550	1001	QZ111C	1725-606A-0000	1
SPADE TERMINAL 6.3X0.8	J13,J14,J15, J21A,J21B, J22A,J22B, J23A,J23B, J24A,J24B, J25A,J25B, J26A,J26B, J27A,J27B, J28A,J28B	QZ111C	2101-1231-0	19
JM2422-3M WAFER	J29,J30	QZ111C	2101-9400-0	2
2P ST.WAFER	J19,J20,J21	QZ111C	2102-021S-004	3
WF T8 DE 7PIN COULOMB	J16,J17	QZ111C	2102-071S-004	2
3X6MM B-TITE (BLK.ZN)	Q6	QZ111C	2954-3006-3000	2
RMF 1/4W 1.69K 1% AT	R19	QZ111C	4715-1691-2	1
RMF 1/4W 180K 1% AT	R14	QZ111C	4715-184A-2	1
RMF 5W 120R 5% AL METAL	R25	QZ111C	471B-121J-1-X	1
RMG 1/10W 10K 1% 0805	R20,R28	QZ111C	4720-103A-J	2
RMG 1/10W 2.2K 1% 0805	R24	QZ111C	4720-222A-J	1
RMG 1/10W 22K 1% 0805	R30	QZ111C	4720-223A-J	1

RMX4050HD PARTS LIST

RMG 1/10W 24K 1% 0805	R29	QZ111C	4720-243A-J	1
RMG 1/10W 39R 1% 0805	R22	QZ111C	4720-390A-J	1
RMG 1/10W 47K 1% 0805	R17,R18	QZ111C	4720-473A-J	2
RMG 1/10W 5.9K 1% 0805	R16	QZ111C	4720-592A-J	1
RMG 1/8W 1.5K 1% 1206	R23,R26,R27	QZ111C	4721-152A-6	3
RMG 1/8W 180K 1% 1206	R13	QZ111C	4721-184A-6	1
RMG 1/8W 464K 1% 1206	R15,R21	QZ111C	4721-4643-6	2
DIODE 1N4148 AT	D1,D2,D3,D4, D5,D6	QZ111C	4804-1480-2	6
DZ 1/2W 7.29~7.67V ROHM	D11	QZ111C	4837-7C51-2	1
DIODE RECT 1A 200V DB103	BR7,BR8	QZ111C	4840-1760-0	2
TR 3906 PNP SM	Q1,Q3,Q4,Q7	QZ111C	4853-9060-3	4
TR 3904 HFE 100-300 SM	Q2,Q5	QZ111C	4860-0640-3	2
TR TIP31C SAMSUNG	Q6	QZ111C	4860-2620-5	1
HEATSINK	Q6	QZ111C	5400-0831-0	1
POLY SWITCH 0.15 ohm 1.1A	R10,R11,R12, R9	QZ111C	8910-0273-0	4
THERMAL NTC 15A 4 OHM	R7,R8	QZ111C	8910-0578-0	2
PACKING MATERIALS				
CARTON BOX (NEW QSC)	6003		1435-4700-1-3	1
CARTON SHT-PALLET	6007		1450-1351-0	0.1
CARTON CAP (280)	6002		1450-5530-0	2
V-BOARD 127X800MM	6004		1450-7310-0	0.5
LABEL CARTON RMX4050HD	6013	QZ110C	3000-9360-0	1
LABEL CARTON RMX4050HD	6013	QZ111C	3000-9361-0	1
UL LABEL FOR RMX4050HD	6014	QZ110C	3000-9396-0	1
CE LABEL	6014	QZ111C	3005-0493-1	1
WARRANTY CARD QSC	6015	QZ110C	3030-1238-1	1
REAR RACK EAR RMX4050HD	6016		4135-2931-0	2
SCREW #8-32 X3/8"	6017		4135-2971-0	4
#8 EXT700TH LOCKWASHER	6018		4135-2981-0	4
RUBBER FOOT QZ MODEL	6010		4154-0241-0	4
USER'S MANUAL RMX4050HD	6001		4301-4193-1	1
POWER CORD SET	6012	QZ111C	7009-8620-0	1
AC CORD SET 15A	6012	QZ110C	7010-9640-0	1
CASING MATERIALS				
CHASSIS BOTTOM RMX4050HD	0001		1404-1112-0	1
COVER TOP 3550	0002		1404-1201-0	1
X'FORMER I/P=100/120/240	0017	QZ110C	1806-3567-1	1
X'FORMER I/P:100/120/240	0017	QZ110C	1806-3621-0	1
X'FORMER T/P=100/120/240	0017	QZ111C	1806-3635-0	1
X'FORMER I/P=100/120/240	0017	QZ111C	1806-3636-0	1
AC INLET	0050		2113-1144-0	1
PC INLAY (WARNING LABEL)	0074		2150-6741-0	1
KNOB CONTROL	0047		2444-1001-1	2
WASHER M9X0.5	0069		2600-9005-1402	2
I/T WASHER M3X0.5X6.4 WZ	0068		2606-3005-0642	2
I/T WASHER M4X0.4X8 YZ	0031		2606-4004-0800	1
I/T WASHER M4X0.4X8 YZ	0077		2606-4004-0800	2
SPRING WASHER M4X7	0072		2607-4010-0700	1
NUT HEX M4	0071		2640-4030-0704	1
METAL WASHER	0053		2842-3367-0	4
SCREW BH M3X 5 MM BZ CRO	0040		2904-3005-3000	18
SCREW M3X8 (BLK)	0042		2904-3008-3000	4

RMX4050HD PARTS LIST

SCREW M3X8 (BLK)	0043		2904-3008-3000	4
SCREW M3X8 (BLK)	0044		2904-3008-3000	1
SCREW M3X8 (BLK)	0045		2904-3008-3000	4
SCREW M3X8 (BLK)	0056		2904-3008-3000	3
SCREW M3X8 (BLK)	0070		2904-3008-3000	1
SCREW M3X8 (BLK)	0076		2904-3008-3000	2
M.SCREW M3X12 B/H BLACK	0054		2904-3012-3000	2
SCREW B-TITE FLAT-CS M3X	0051		2951-3010-3000	2
B-TITE 3X10MM (BLK.ZN)	0041		2954-3010-3000	4
B-TITE 3X10MM (BLK.ZN)	0055		2954-3010-3000	4
LABEL SERIAL NO. &	0073	QZ110C	3000-9394-0	1
LABEL SERIAL NO. & RATIN	0073	QZ111C	3000-9395-1	1
INSULATION SHEET IC	0030		3100-6081-0	4
RACK EAR 280 CRS	0029		4135-0241-1	2
FAN GUARD FOR 120mm FAN	0018		4135-0282-0	1
NUT M4 W/EXTERNAL TOOTH	0021		4135-0811-0	4
NUT M4 W/EXTERNAL TOOTH	0039		4135-0811-0	6
TRANSFORMER STEEL COVER	0024		4135-0942-0	2
CLAMP IC 6FINGERS	0005		4135-2141-0	4
CLAMP IC 4FINGERS	0006		4135-2151-0	4
HOLDER PCB 3550	0003		4135-2161-0	1
NTC HOLDER FOR RMX4050HD	0065		4135-2731-0	2
SCREW 4X10 BLACK ZN TAPP	0046		2954-4010-3000	16
POINTER ADAPTOR	0048		4154-0691-0	2
PLATE PCB PROTECT PP	0060		4154-5091-0	1
SHELTER FROM SEEN FOR	0061		4154-5551-0	1
RIBBON SLEEVE RMX4050HD	0075		4154-5731-0	1
TRANSFORMER PAD SAFT	0023		4157-0201-1	4
TRANSFORMER PAD EPDM 80A	0078		4157-0221-0	4
CIRCUIT BREAKER 15A	0025	QZ110C	5200-3531-0	2
CIRCUIT BREAKER 8A	0025	QZ111C	5200-4731-0	2
SWITCH ROCKER POWER DPST	0015		5200-4822-0	1
HEAT SINK 3550	0004		5400-3591-0	1
WIRE ASSY W/2T L=100MM	0011		7012-6325-0	1
WIRE ASSY W/1T L=460MM	0009		7012-6327-0	2
WIRE ASSY W/2T L=600MM	0010		7012-6328-0	1
WIRE CON ASSY W/6 SINGLE	0007		7012-6329-1	2
CONN.ASSY 6 PIN SHIELD	0008		7012-6332-0	2
GRND WIRE UL1015 #14	0052		7012-6344-1	1
UL1015 #14 3P BROWN	0036	QZ110C	7012-6345-0	1
UL1015 #14 W/1 TERMINAL	0037	QZ110C	7012-6346-0	1
CONN ASSY 7PIN SHIELD	0013		7012-6396-0	2
WIRE ASSY W/2T L=170MM	0011		7012-6397-0	1
CABLE ASSY RIBBON 28PIN	J6		7012-6401-0	1
WIRE W/2T 1ANGLE TER L=5	0012		7012-6409-0	1
WIRE W/2T 1ANGLE TER L=4	0012		7012-6410-0	1
WIRE CON ASSY W/1RING	0062		7012-6433-0	2
WIRE CON ASSY W/3TER #14	0064	QZ111C	7012-6434-0	1
WIRE CON ASSY W/2TER #14	0063	QZ111C	7012-6435-0	1
WIRE CON ASSY W/1TER #14	0037	QZ111C	7012-6436-0	1
WIRE CON ASSY W/1TER #14	0036	QZ111C	7012-6437-0	1
WIRE ASSY W/2T L=600MM	0010		7012-6482-0	1
CONN ASSY 2P P=2.5 L=120	0038		7602-1120-2004	2
SELF SCREW 4X10 WITH	0026		8900-2195-1	10
SELF SCREW 4X10 WITH	0027		8900-2195-1	8
SELF SCREW 4X10 WITH	0028		8900-2195-1	12
MACHINE SCREW M4X20 WITH	0020		8900-2198-0	4
X'FER MOUNTING ASSY	0022		8901-4670-1	2

RMX4050HD PARTS LIST

DC FAN 24V 119X119X38MM	0019		8913-4000-0	1
-------------------------	------	--	-------------	---